



# C.T.I. CYCLOPS®

## C RANGE

Thermographic Inspection Windows



### Long or Shortwave I.R. Crystal

- Fitting time approx 10 minutes
- Fully weatherproof even during imaging
- Plexiglass or aluminium cover
- Stainless steel tamperproof access screws
- Nitrile gasket (alternatives available)
- Anodised aluminium housing
- Complete with drilling template and fixing instructions
- Virtually insoluble I.R. Crystal
- Transparent in the visible spectrum
- 96% I.R. Transmission
- Standard screws fit up to 4mm thick panel
- IP 65 rated - BS EN60529
- Access keys available separately
- Low smoke and fume option now available (LSF)

# C.T.I. CYCLOPS®

## C RANGE

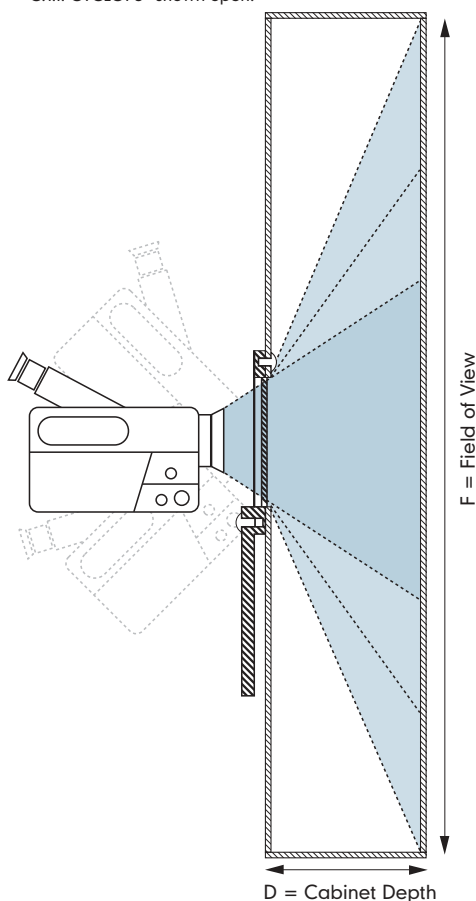
### Thermographic Inspection Windows

#### FIELD OF VIEW

Equal to six times the cabinet depth ( $F=D \times 6$ )

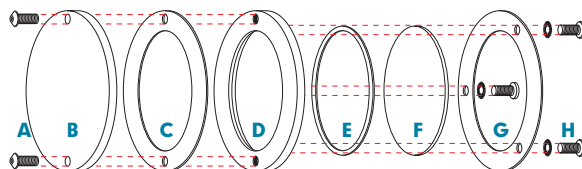
Section through control cabinet.

C.T.I. CYCLOPS® shown open.



#### EXPLODED VIEW

- A Security Screws
- B Plexiglass or Aluminium Cover
- C Gasket (1)
- D Anodised Aluminium Frame
- E Gasket (2)
- F I.R. Lens
- G Gasket (3)
- H Fixing Screws



#### RANGE COMPRISES:

	Order Ref.	
C.T.I. CYCLOPS®	2000-C-50-C	50mm Viewing Port 0.13 to 10.0µm I.R. Wave length (short-wave)
C.T.I. CYCLOPS®	2000-C-75-C	75mm Viewing Port 0.13 to 10.0µm I.R. Wave length (short-wave)
C.T.I. CYCLOPS®	2001-C-50-CF	50mm Viewing Port 0.13 to 10.0µm I.R. Wave length (short-wave) (LSF)
C.T.I. CYCLOPS®	2001-C-75-CF	75mm Viewing Port 0.13 to 10.0µm I.R. Wave length (short-wave) (LSF)
C.T.I. CYCLOPS®	2000-C-50-B	50mm Viewing Port 0.15 to 12.5µm I.R. Wave length (long-wave)
C.T.I. CYCLOPS®	2000-C-75-B	75mm Viewing Port 0.15 to 12.5µm I.R. Wave length (long-wave)
C.T.I. CYCLOPS®	2001-C-50-BF	50mm Viewing Port 0.15 to 12.5µm I.R. Wave length (long-wave) (LSF)
C.T.I. CYCLOPS®	2001-C-75-BF	75mm Viewing Port 0.15 to 12.5µm I.R. Wave length (long-wave) (LSF)
C.T.I. CYCLOPS®	CYC50-03	50mm Security Access Key
C.T.I. CYCLOPS®	CYC75-03	75mm Security Access Key

#### LENS

##### C Type

Thickness 2mm Density 3.18gm/cc  
Melting Temp. 1630K I.R. Transmittance up to 96%  
Wavelength 0.13 to 10.0 micrometres

Wavelength µ	0.19	0.25	0.41	2.65	5.00	7.00	8.22
Refractive Index	1.51	1.47	1.44	1.42	1.40	1.36	1.34

##### B Type

Thickness 3mm Density 4.89gm/cc  
Melting Temp. 1550K I.R. Transmittance up to 92%  
Wavelength 0.15 to 12.5 micrometres

Wavelength µ	0.26	0.36	0.85	5.14	8.00	9.20	9.80
Refractive Index	1.51	1.49	1.47	1.45	1.43	1.41	1.40

#### FRAME

Aluminium to BS6082-T6  
Anodised to DEF STAN 03-25/3 aa 8-13

#### GASKETS (Other materials available)

Nitrile Grade A40, Temp Range -15°C to 90°C (Standard)  
Silicone to BS6853, Temp Range -70°C to 250°C (LSF)

#### PROTECTIVE COVER

Plexiglass (Standard)  
Aluminium (LSF)

#### FIXING SCREWS

Stainless Steel

#### INGRESS PROTECTION

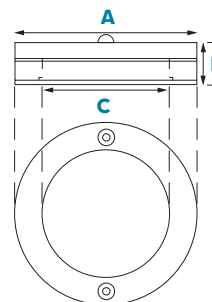
I.P. 65 certified to BSEN60529

#### PACKING WEIGHTS

75S-195gm 50S-80gm

#### DIMENSIONS IN MM

Type	A	B	C
75 Series	100	12.5	75
50 Series	65	12.5	50



YOUR LOCAL DISTRIBUTOR



**Cockburn Thermal Imaging Ltd.**

Head Office: 117 High Street, Marske-by-the-Sea, TS11 6JX.

Sales Tel: +44(0)1642 497000 Fax: +44(0)1642 497111 E-mail: sales@cockburngroup.co.uk  
Admin Tel: +44(0)1642 491632 Fax: +44(0)1642 491682 E-mail: info@cockburngroup.co.uk  
Port Talbot Tel: +44(0)1639 871993 Fax: +44(0)1639 870081 E-mail: faztrax@cockburngroup.co.uk  
Website: www.cticyclops.com

C.T.I. CYCLOPS® is a registered trademark of Cockburn Thermal Imaging Limited. International patent pending.

